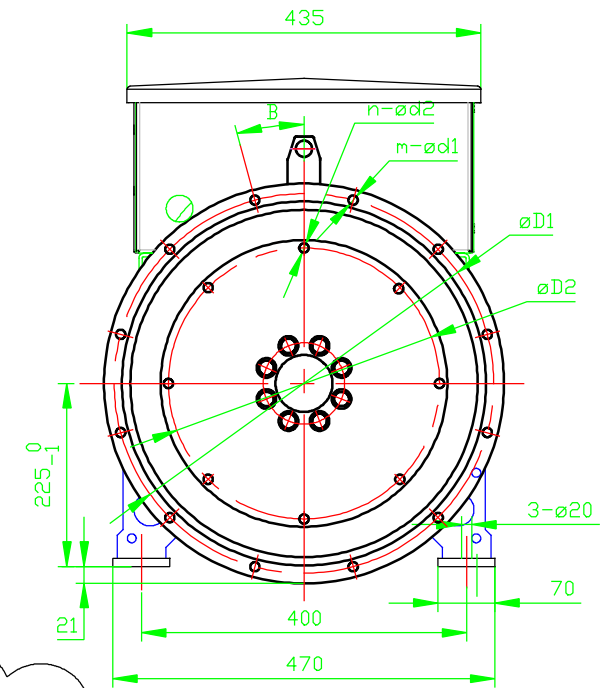
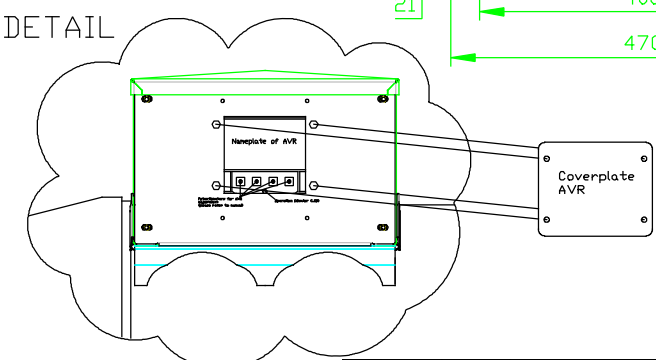


DETAIL



G	G	G	G	C A D
F	F	F	F	
E	E	E	E	
D	D	D	D	
C	C	C	C	
B	08.01.2012	Brunner F.	Revision of terminal box	
A	12.06.2008	Brunner F.	First Issuance	
INDEX	DATE	NAME	REVISION	
This document contains confidential information which must not be copied, nor disclosed to any person without our prior authority in writing			Type: ACG0125-4-400	
Drawing-number: ACG0125S225			Revision: B	
Draw.	12.06.08	Brunner Florian	Frame size: 225	
Coord.	12.06.08	Brunner Florian	Bearings: singlebearing	
Checked	12.06.08	Brunner Florian		
	Date	Name		
<b>ACG</b>		ACG Ges.m.b.H Badhöring 35 4782 St. Florian am Inn Austria		