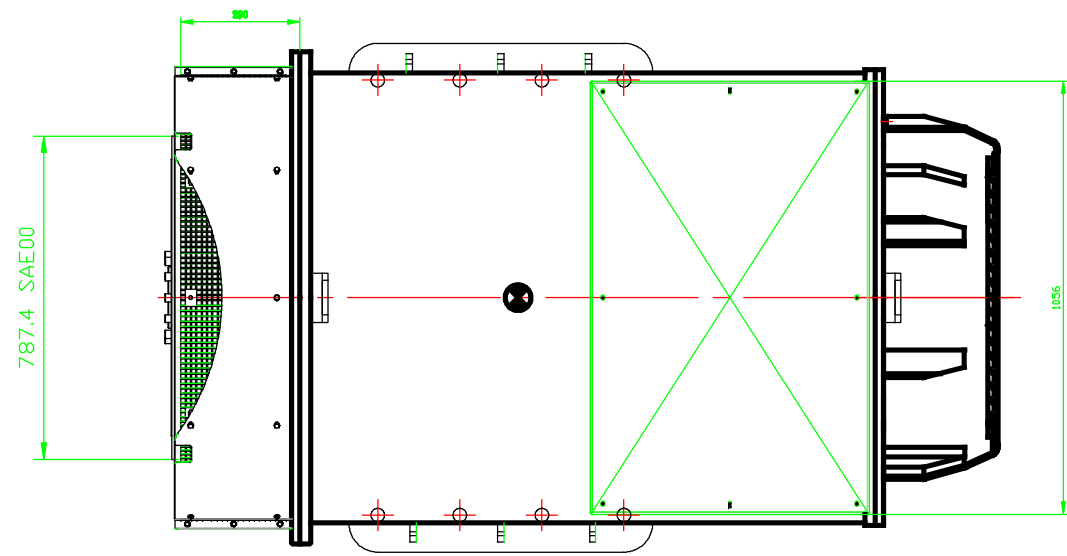


DIMENSION IN mm



G	G	G	G	C A D
F	F	F	F	
E	E	E	E	
D	D	D	D	
C	C	C	C	
B	B	B	B	
B	15.01.2013	Brunner F.	Input of measurements	REVISION:
A	10.07.2012	Brunner F.	First Issuance	
INDEX	DATE	NAME		
This document contains confidential information which must not be copied, nor disclosed to any person without our prior authority in writing			Type:	ACG3000-4-400
			Drawing-number:	ACG3000S560
			Revision:	B
Draw.	2012.07.10	Brunner Florian	Frame size:	560
Coord.	2012.07.10	Brunner Florian	Bearings:	singlebearing
Checked	2012.07.10	Brunner Florian		
	Date	Name		
ACG			ACG Ges.m.b.H Badhöring 35 4782 St. Florian am Inn Austria	