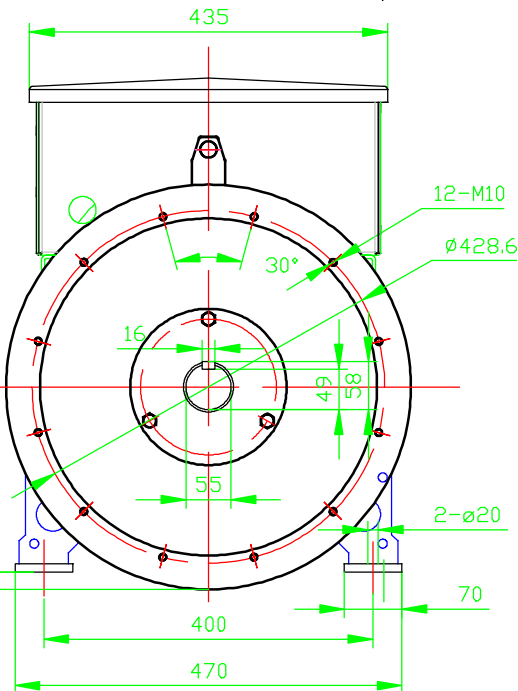


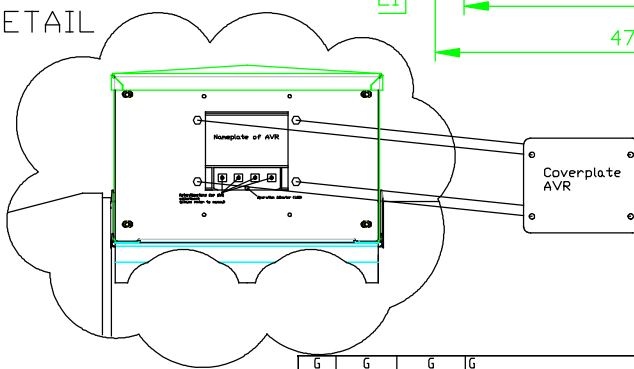
Direction of cable entry can be changed (left or right seen from NDE) and should be conformed by order

Cable entry covered with aluminum plate.
Size of cable entry underneath about: 220x130mm

Access to AVR through coverplate on right side of terminal box (seen from NDE) SEE DETAIL



DETAIL



G	G	G	G	C A D
F	F	F	F	
E	E	E	E	
D	D	D	D	
C	C	C	C	
B	12.06.2012	Brunner F.	Input of height measurement on shaft Key, change of terminal box	
A	12.06.2008	Brunner F.	First Issuance	
INDEX	DATE	NAME	REVISION	
<p>This document contains confidential information which must not be copied, nor disclosed to any person without our prior authority in writing</p>			Type: ACG0065-4-400 Drawing-number: ACG0065D225 Revision: B	
Draw.	12.06.08	Brunner Florian	Frame size: 225	
Coord.	12.06.08	Brunner Florian	Bearings: doublebearing	
Checked	12.06.08	Brunner Florian		
Date		Name		
			ACG Ges.m.b.H Badhöring 35 4782 St. Florian am Inn Austria	

