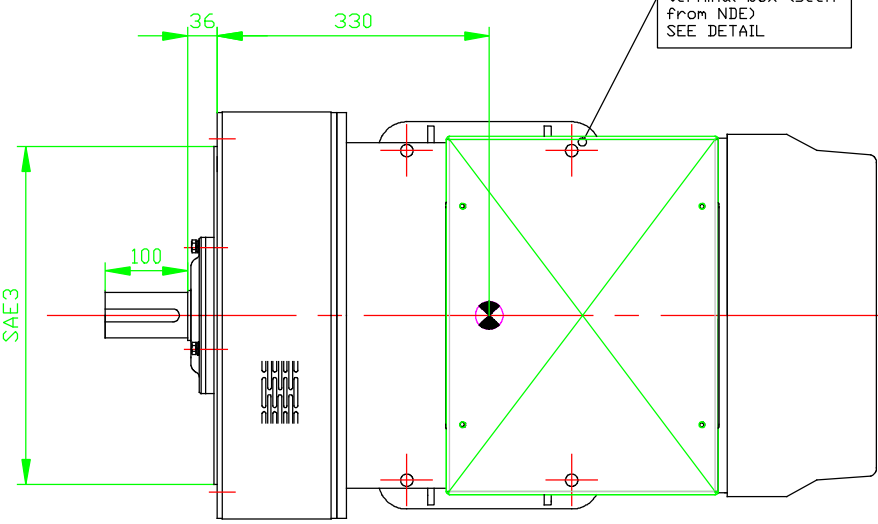
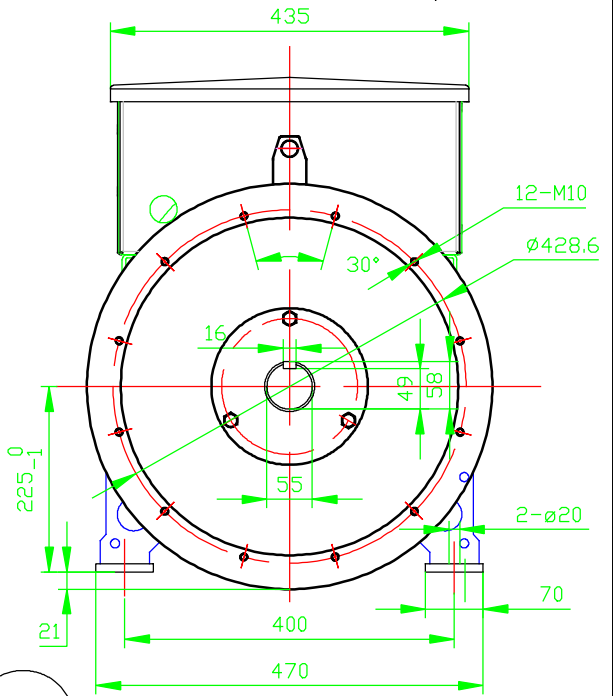
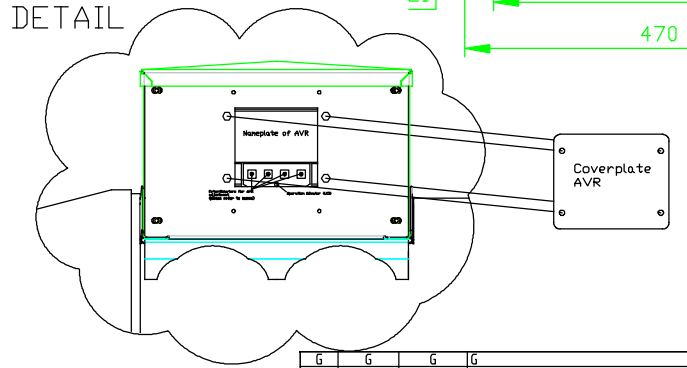


Direction of cable entry can be changed (left or right seen from NDE) and should be conformed by order

Cable entry covered with aluminium plate.
Size of cable entry underneath about: 220x130mm



Access to AVR through coverplate on right side of terminal box (seen from NDE) SEE DETAIL



G	G	G	G	C A D
F	F	F	F	
E	E	E	E	
D	D	D	D	
C	C	C	C	
B	12.06.2012	Brunner Florian	Input of height measurement on shaft Key, revision of terminal box	
A	12.06.2008	Brunner Florian	First Issuance	
INDEX	DATE	NAME	REVISION	

This document contains confidential information which must not be copied, nor disclosed to any person without our prior authority in writing			Type:	ACG0080-4-400
			Drawing-number:	ACG0080D225
			Frame size:	225
			Bearings:	doublebearing
Draw.	12.06.08	Brunner Florian		
Coord.	12.06.08	Brunner Florian		
Checked	12.06.08	Brunner Florian		
	Date	Name		



ACG Ges.m.b.H
Badhöring 35
4782 St. Florian am Inn
Austria