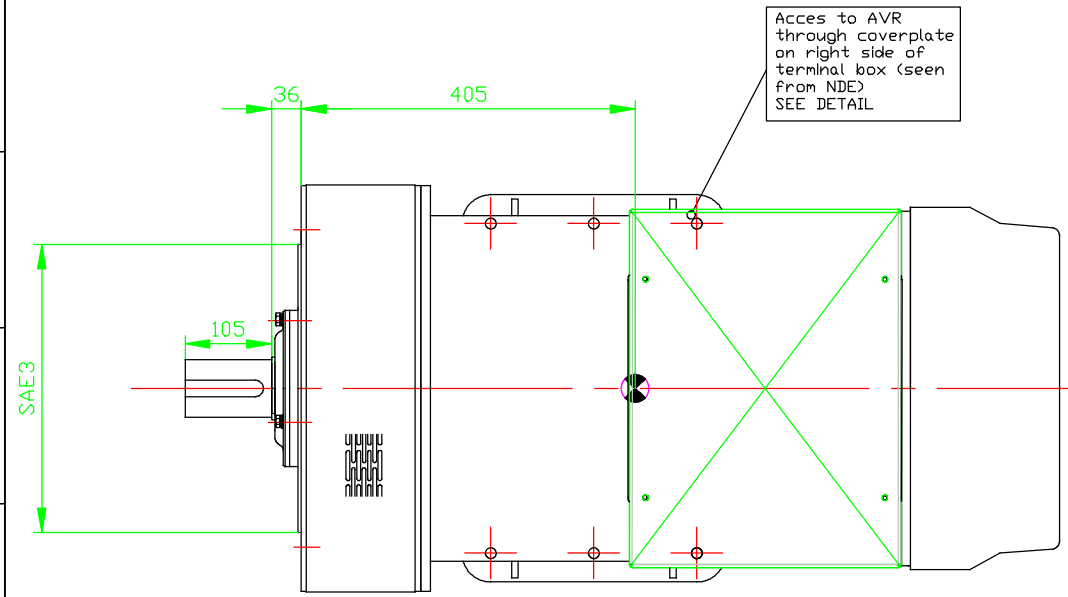
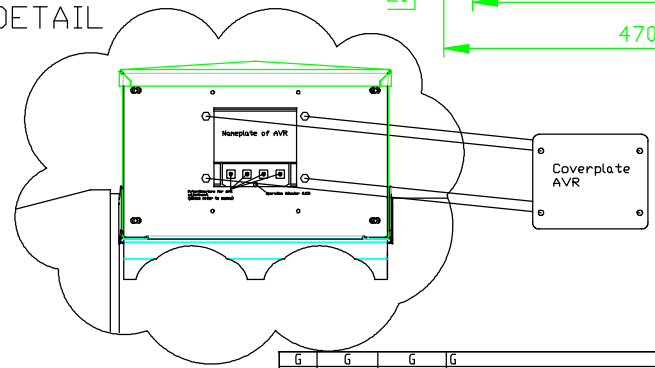


DETAIL



G	G	G	G		
F	F	F	F		
E	E	E	E		
D	D	D	D		
C	C	C	C		
B	12.06.2012	Brunner F.	Input of height measurement on shaft Key, revision of terminal box		
A	12.06.2008	Brunner F.	First Issuance		
INDEX	DATE	NAME		REVISION	

This document contains confidential information which must not be copied, nor disclosed to any person without our prior authority in writing			Type:	ACG0150-4-400	Revision:
			Drawing-number:	ACG0150D225	B
Draw.	12.06.08	Brunner Florian	Frame size:	225	
Coord.	12.06.08	Brunner Florian	Bearings:	doublebearing	
Checked	12.06.08	Brunner Florian			
Date		Name			

ACG

ACG Ges.m.b.H
Badhöring 35
4782 St. Florian am Inn
Austria