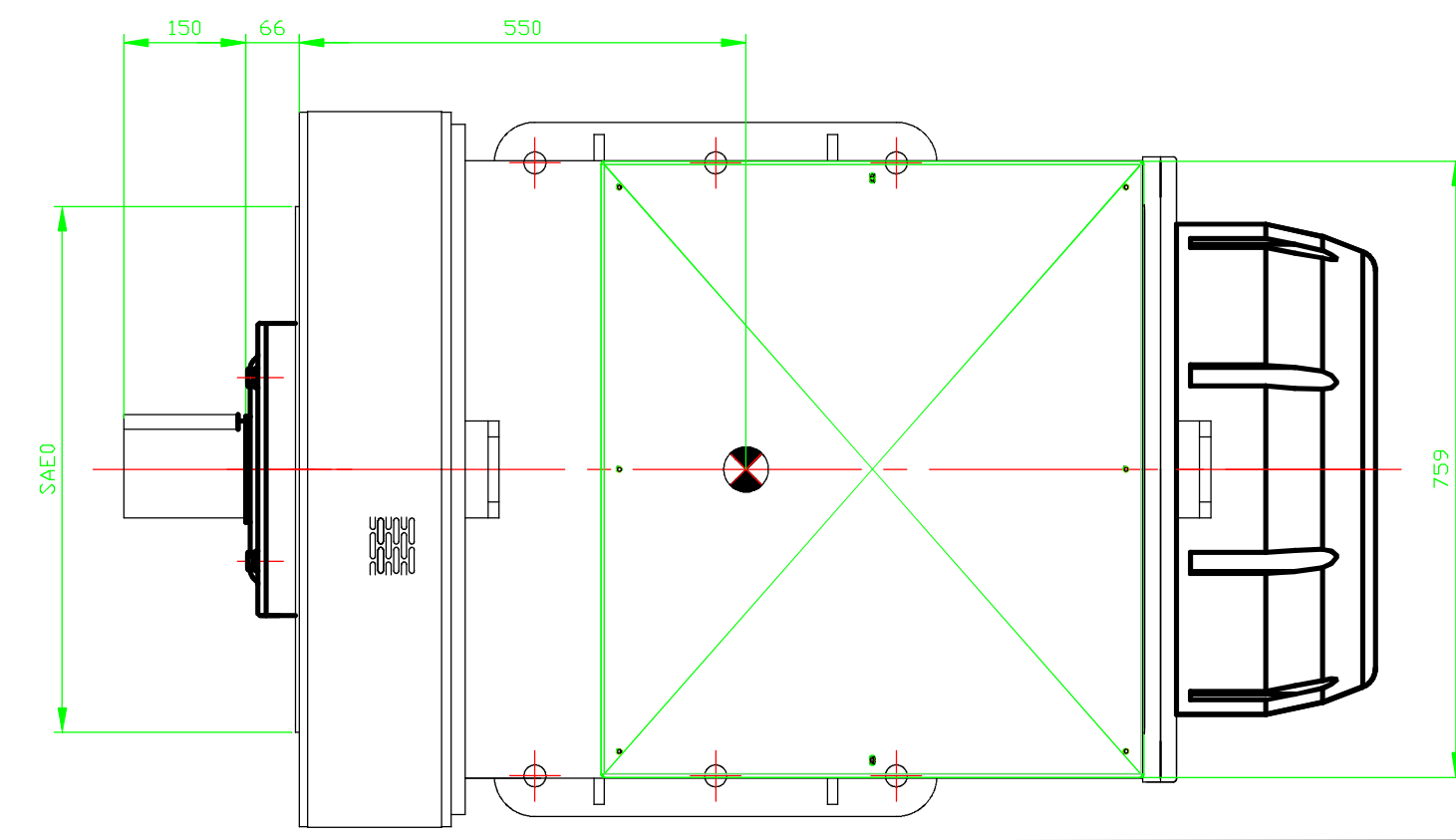
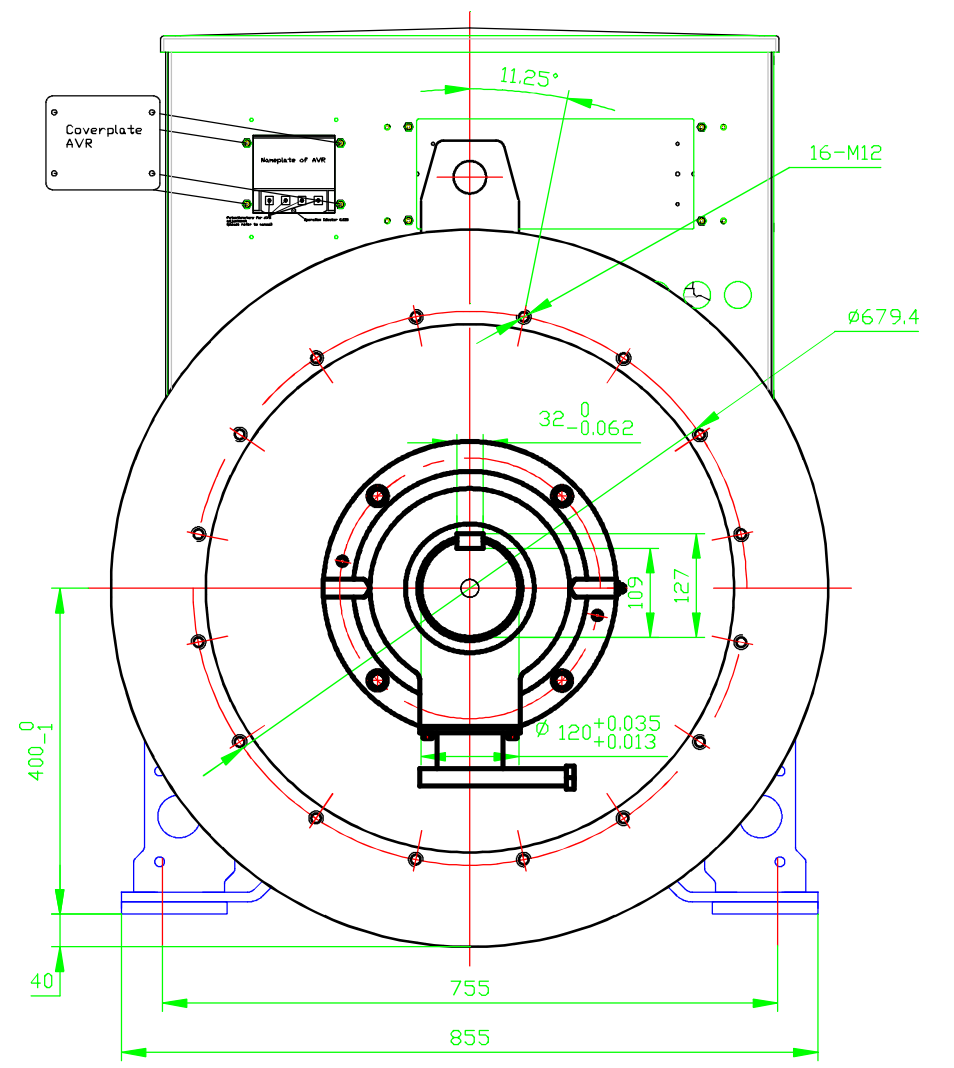
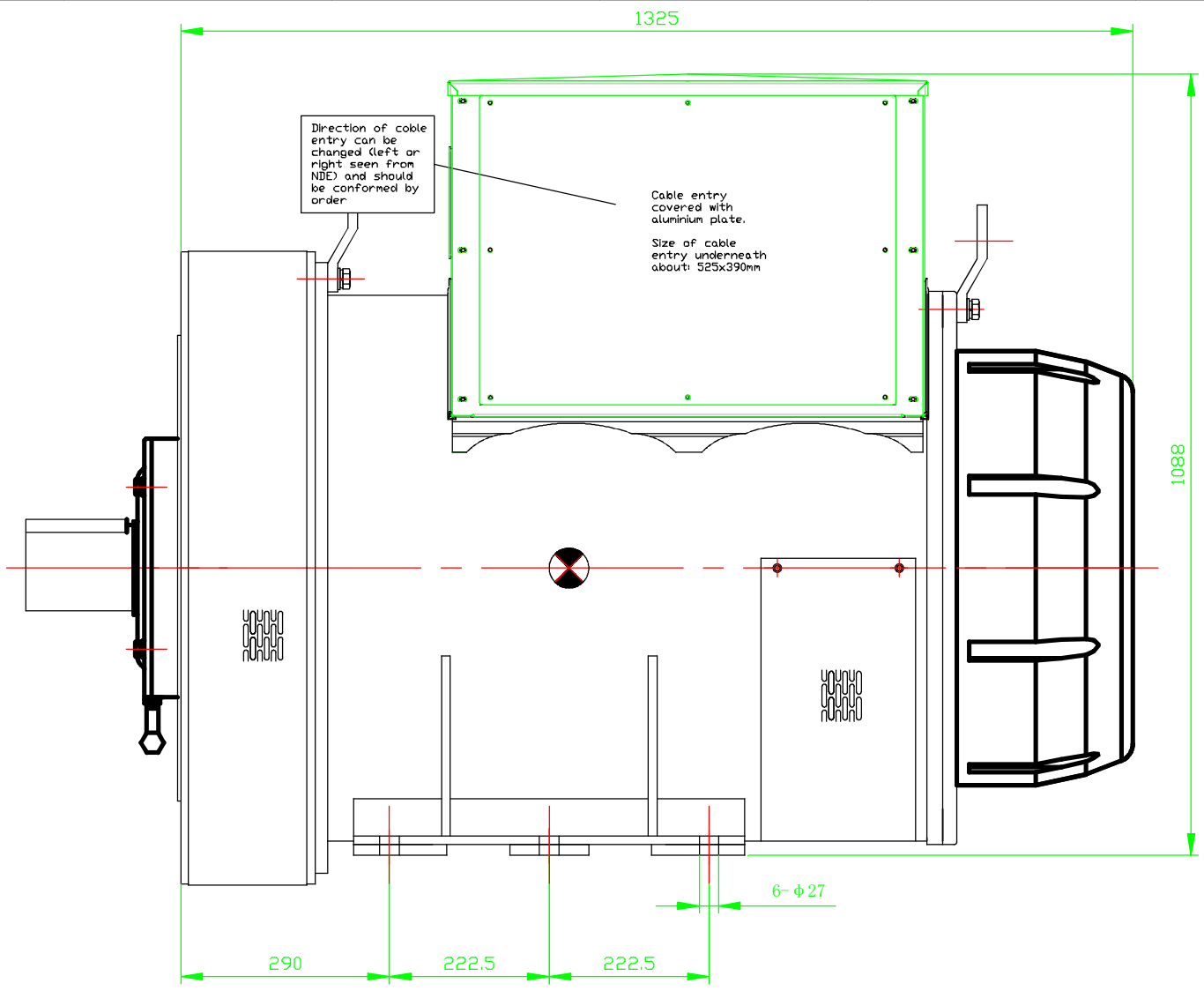


A B C D E F G H J K



A B C D E F G H J K

G	G	G	G	C A D
F	F	F	F	
E	E	E	E	
D	D	D	D	
C	C	C	C	
C	14.01.2013	Brunner F.	Revision of terminal box	
B	29.08.2012	Brunner F.	Change of footing distance, grease remover and end cover	
A	12.06.2008	Brunner F.	First Issuance	
INDEX	DATE	NAME	REVISION	
This document contains confidential information which must not be copied, nor disclosed to any person without our prior authority in writing			Type:	ACG0800-4-400 Revision: C
			Drawing-number:	
			Frame size:	400
			Bearings:	doublebearing
Draw.	12.06.08	Brunner Florian		
Coord.	12.06.08	Brunner Florian		
Checked	12.06.08	Brunner Florian		
	Date	Name		
ACG			ACG Ges.m.b.H Badhöring 35 4782 St. Florian am Inn Austria	